



NATIONAL POWER CORPORATION

SUPPLEMENTAL /BID BULLETIN NO. 1
to the Bid Documents for the

**SUPPLY AND DELIVERY OF MECHANICAL SPARE PARTS FOR DALE PERKINS
163KW (ENGINE MODEL NO. 2006-TG1) OF PALAWAN OPERATIONS DIVISION
UNDER PR NO. S1-PWN22-001/REF NO. PB220203-SV00021 (PB2)**

28 FEBRUARY 2022

All prospective bidders and authorized copyholders of the Bid Documents of the above/mentioned project are hereby informed of the following change/s as follow/s:

1. ADDITIONAL INFORMATION FOR:

| ITEM | DESCRIPTION | Drawings/Details |
|------|---|--|
| 12. | RADIATOR FABRICATED, 163KW DALE PERKINS, BAL | Please see attached Annex A, B, & C |

All other terms and conditions shall remain the same.

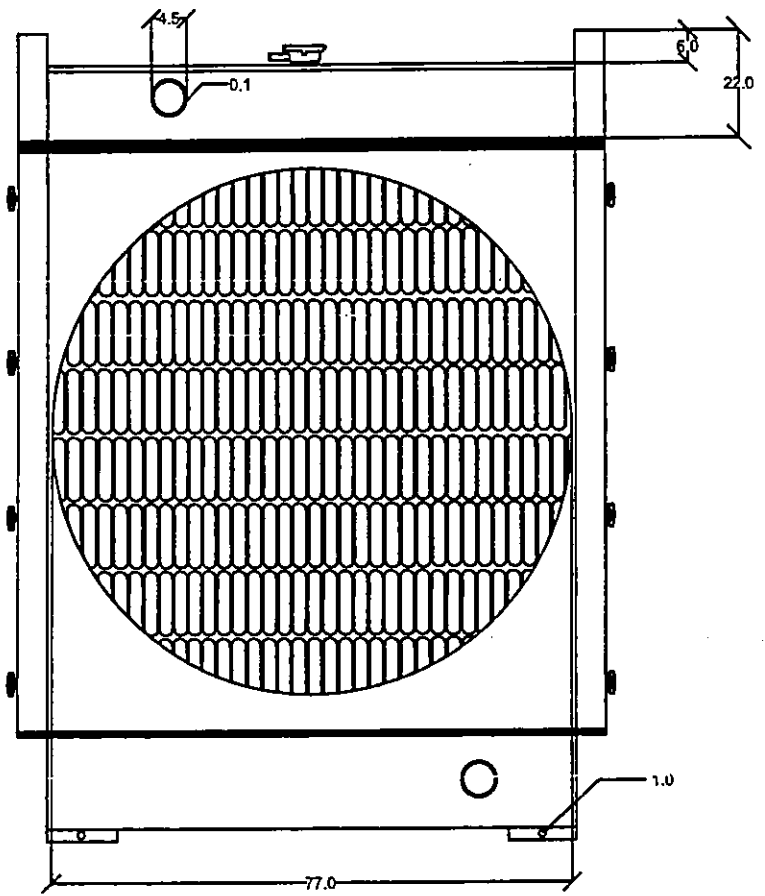
For the information and guidance of all authorized copyholders of the Terms of Reference (TOR) and prospective bidders.

For the Bids and Awards Committee:

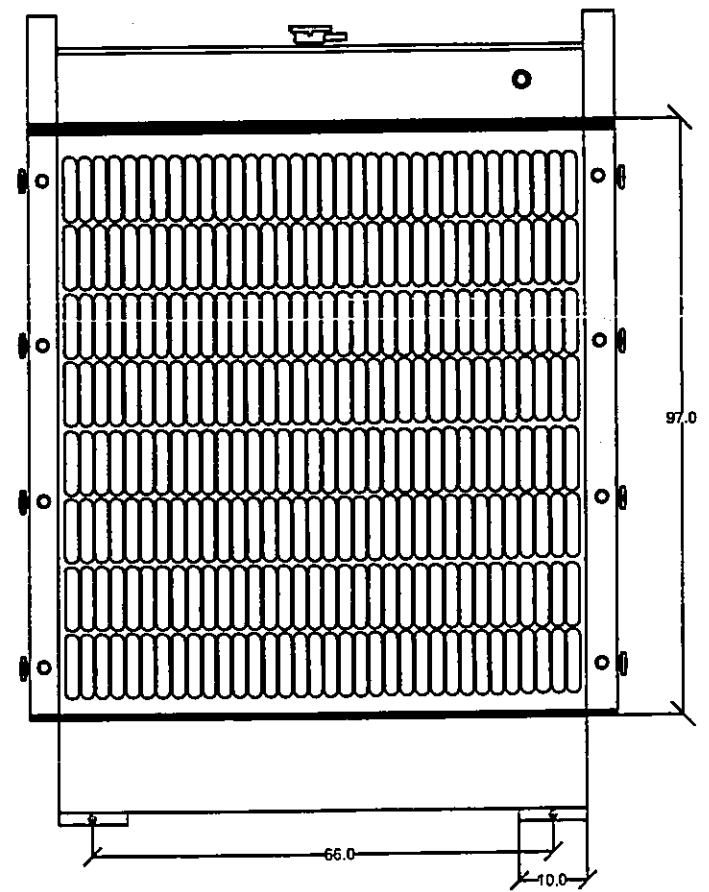
ATTY. ROGEL T. TEVES

Vice President / Power Engineering Services and
Chairman, Bids and Awards Committee



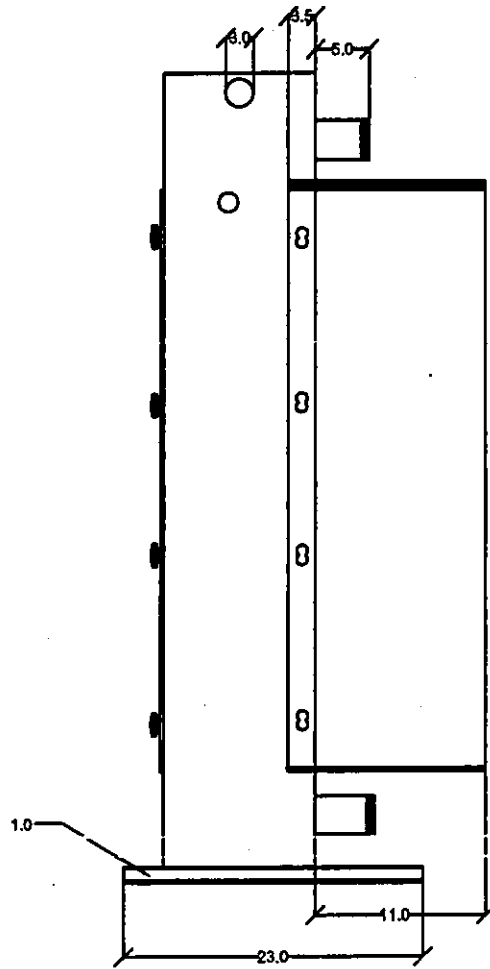


FRONT VIEW

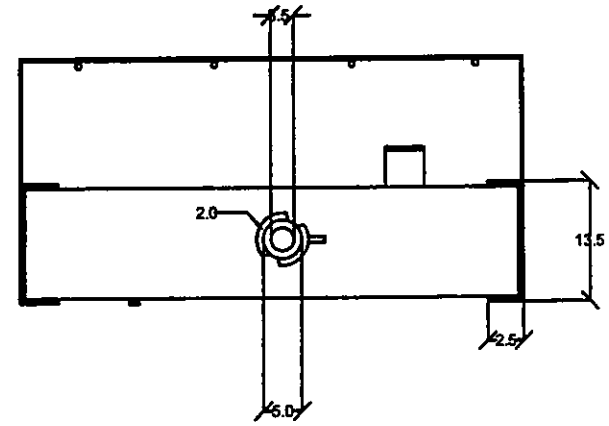


BACK VIEW

NOTE: ALL UNITS ARE IN CENTIMETERS.

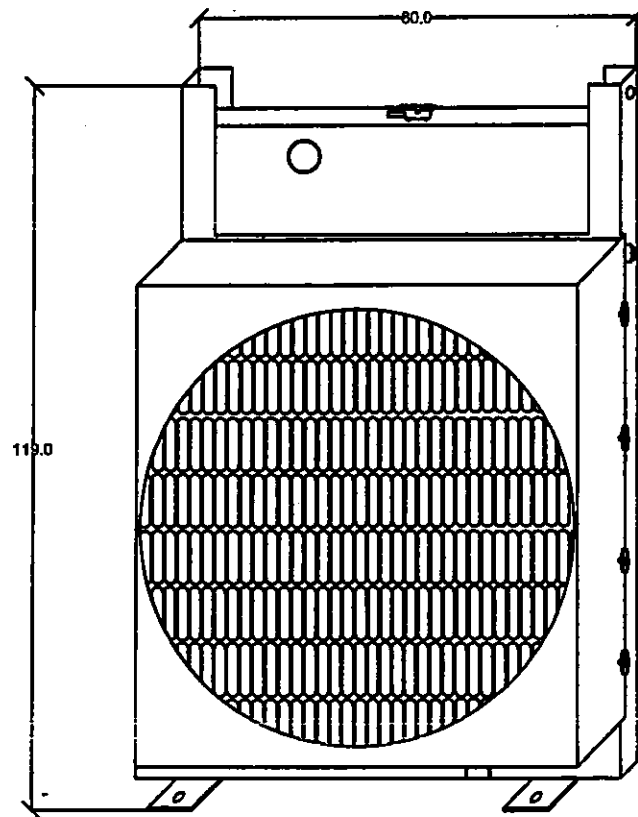


SIDE VIEW



TOP VIEW

NOTE: ALL UNITS ARE IN CENTIMETERS.



PERSPECTIVE VIEW

NOTE: ALL UNITS ARE IN CENTIMETERS.